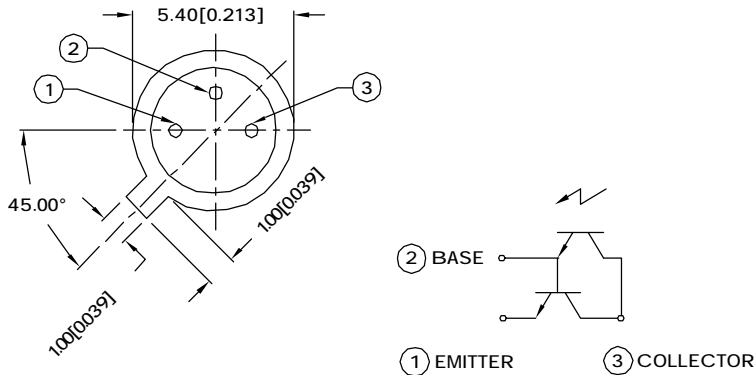
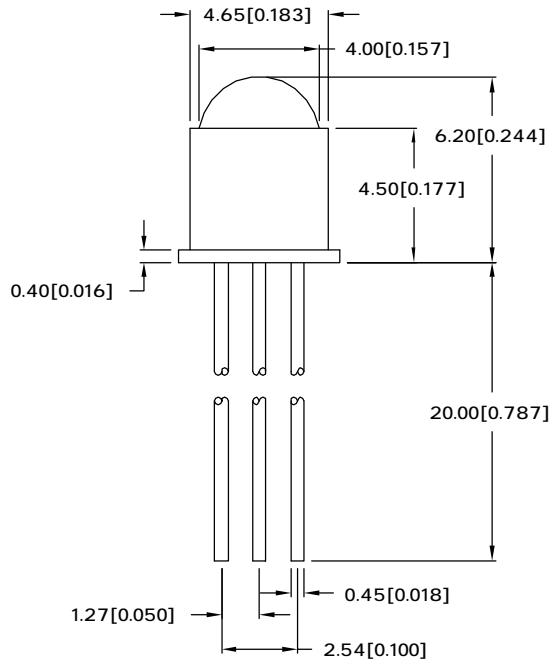


| | | |
|----------|------------------|-----|
| DATE | REVISIONS | REV |
| 12-31-97 | E.C.N. #10BRDR./ | A |

| | |
|----------------|-----|
| DRAWING NUMBER | REV |
| OED- PT- 1KLB | A |

ELECTRO-OPTICAL CHARACTERISTICS_AT = 25°C

| PARAMETER | SYMBOL | TEST CONDITION | MIN | TYP | MAX | UNIT |
|--------------------------------------|-----------------------|--|-----|-----|-----|------|
| COLLECTOR DARK CURRENT | I _{ceo} | V _{ceo} =10V E _e =0.5mw/cm ² | | | 100 | nA |
| COLLECTOR LIGHT CURRENT | I _c | V _{ce} = 5V E _e =0.5mw/cm ² | 5.0 | | | mA |
| COLLECTOR-EMITTER SATURATION VOLTAGE | V _{ce} (sat) | I _c = 0.2 mA E _e =0.5mw/cm ² | | | 1.4 | V |
| SWITCHING SPEEDS: | | V _{cc} =5V | | | | |
| RISING TIME | T _r | I _c =1mA | | 65 | | μS |
| FALLING TIME | T _f | R _i =100Ω | | 75 | | μS |
| PEAK WAVELENGTH | λ _p | | | 800 | | nm |
| ANGULAR REPSONSE | Δθ | | | ±15 | | DEG |
| LENS COLOR: | CLEAR | | | | | |



LIMITS OF SAFE OPERATION AT 25°C

| PARAMETER | MAX | UNITS |
|---|-------------|------------|
| COLLECTOR-EMITTER VOLTAGE (V _{ceo}) | 30 | V |
| EMITTER-COLLECTOR VOLTAGE (V _{eco}) | 4 | V |
| POWER DISSIPATION | 100 | mW |
| OPERATING TEMP. | -30 TO +120 | °C |
| STORAGE TEMP. | -30 TO +125 | °C |
| SOLDERING TEMP. | +260 | °C |
| 2.0mm FROM BODY | | 3 SEC. MAX |

RELIABILITY NOTE

OUR MANY YEARS OF EXPERIENCE DATA ACCUMULATION INDICATE THAT SOLDER HEAT IS A MAJOR CAUSE OF EARLY AND FUTURE FAILURE. PLEASE PAY ATTENTION TO YOUR SOLDERING PROCESS.

LUMEX
INCORPORATED

290 E. HELLEN ROAD
PALATINE, ILLINOIS 60067
(847) 359-2790

CONFIDENTIAL INFORMATION
THE INFORMATION CONTAINED IN THIS DOCUMENT IS THE PROPERTY OF LUMEX INCORPORATED. EXCEPT AS SPECIFICALLY AUTHORIZED IN WRITING BY LUMEX INCORPORATED, THE HOLDER OF THIS DOCUMENT SHALL KEEP ALL INFORMATION CONTAINED HEREIN CONFIDENTIAL AND SHALL PROTECT SAME IN WHOLE OR IN PART FROM DISCLOSURE AND DISSEMINATION TO ALL THIRD PARTIES.

| | | | | |
|--------|---------|------|--------|-------|
| DATE: | 4-27-95 | DWN: | CHK'D: | APPD: |
| SCALE: | N/A | | | |

TO- 18 HIGH OUTPUT, NPN SILICON PHOTODARLINGTON,
HERMETICALLY SEALED.

| | | |
|-------------|---------------------------------|----------|
| PAGE 1 OF 1 | DRAWING NUMBER OED- PT- 1KLB | REV A |
|-------------|---------------------------------|----------|